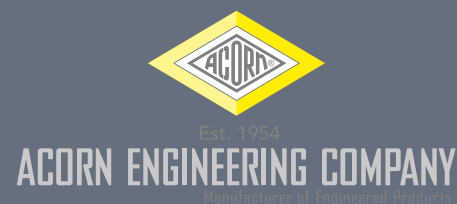


# MERIDIAN CORTERRA SINGLE BASIN

ADA Compliant



A single-station Corterra basin is now available in the Meridian 3750 series. This single-station unit can be specified on its own or to match other Corterra Hi-Lo basins for an attractive, uniform appearance.



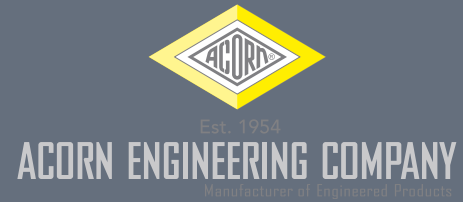
Meridian 3751

#### Featured and Benefits:

- Basin can be mounted at levels that meet child or adult ADA requirements.
- Counter with integral basin constructed from Corterra solid-surface polymer resin.
- Stainless steel trap enclosure hides mixing valve and supply/waste connections.
- Sensor operation standard; pushbutton operation optionally available.

# MERIDIAN CORTERRA SINGLE BASIN

ADA Compliant



## Meridian Corterra Single Basin - ADA Compliant

Meridian Corterra Single Basin is intended to be mounted to accommodate ADA. Washbasin is constructed of Corterra recycled solid surface polymer resin and combines the look of granite and the feel of commercial-grade designer basins. Adequate wall backing required to support this wall mount, off-floor washbasin fixture. When mounted 34" at finished floor, fixture would comply with UFAS and ADA requirements. Alternatively, the unit may be mounted at the height to comply with ADA requirements for children. Compliance is subject to the interpretation and requirements of the local code authority.

lid-  
is  
ANSI,



1.



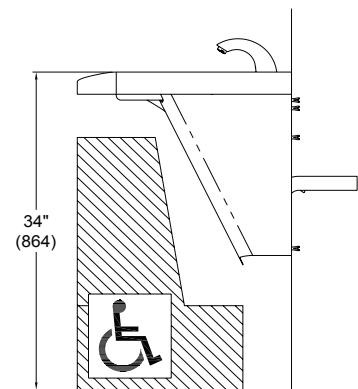
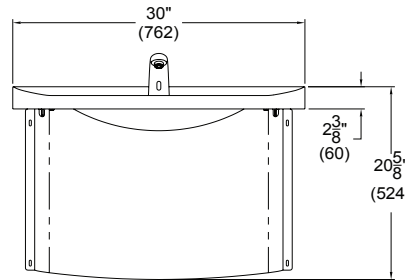
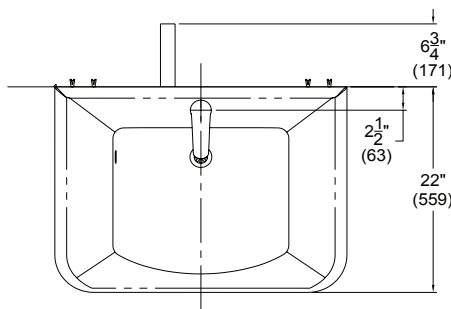
2.



3.

1. Trap Enclosure is included and conceals the hot & cold mixing valve, supply and waste connections. Enclosure is fabricated of 18 gage, type 304 stainless steel with a satin finish engineered to provide a profile that complies with both ADA & TAS.
2. Counter with Integral Basin is constructed of Corterra recycled solid-surface polymer resin and is ICPA SS-1 approved. Corterra uses a minimum of 15% post-consumer recycled material and a minimum 5% rapidly renewable material derived from bio-based sources. Fixture includes no-drip edges, integral overflow, grid strainer and continuous waste piping with 1-1/2" P-trap.
3. -SO Sensor Operation is standard, ADA compliant and includes infrared spout, 0.5 GPM flow control, solenoid valve with a T/P balancing mixing valve. A plug-in transformer is included however, for optional battery operated sensor a battery box is provided. Batteries not included.

ed.



## GUIDE SPECIFICATION

Meridian Corterra Washbasin by Acorn (Specify options). Unit mounted at standard height conforms with ANSI, UFAS and ADA Accessibility Standards. Counter and integral basin to be constructed of Corterra recycled solidsurface polymer resin and conform to ANSI Z124.3 and ANSI Z124.6 load ratings. Trap enclosure is to be constructed of heavy gage, type 304 stainless steel with satin finish. Washbasin to be furnished complete with -SO Sensor Operation & provide solenoid actuated valve with deck mounted infrared spout ASSE 1070 compliant temperature/pressure balancing mixing valve with integral checks and strainer continuous waste with 1-1/2" single P-trap.

rm to  
in finish.



ACORN ENGINEERING COMPANY

15125 Proctor Ave. • City of Industry, CA 91746  
800.488.8999 • 626.336.4561 [www.acorneng.com](http://www.acorneng.com)

L1001328  
9/2013